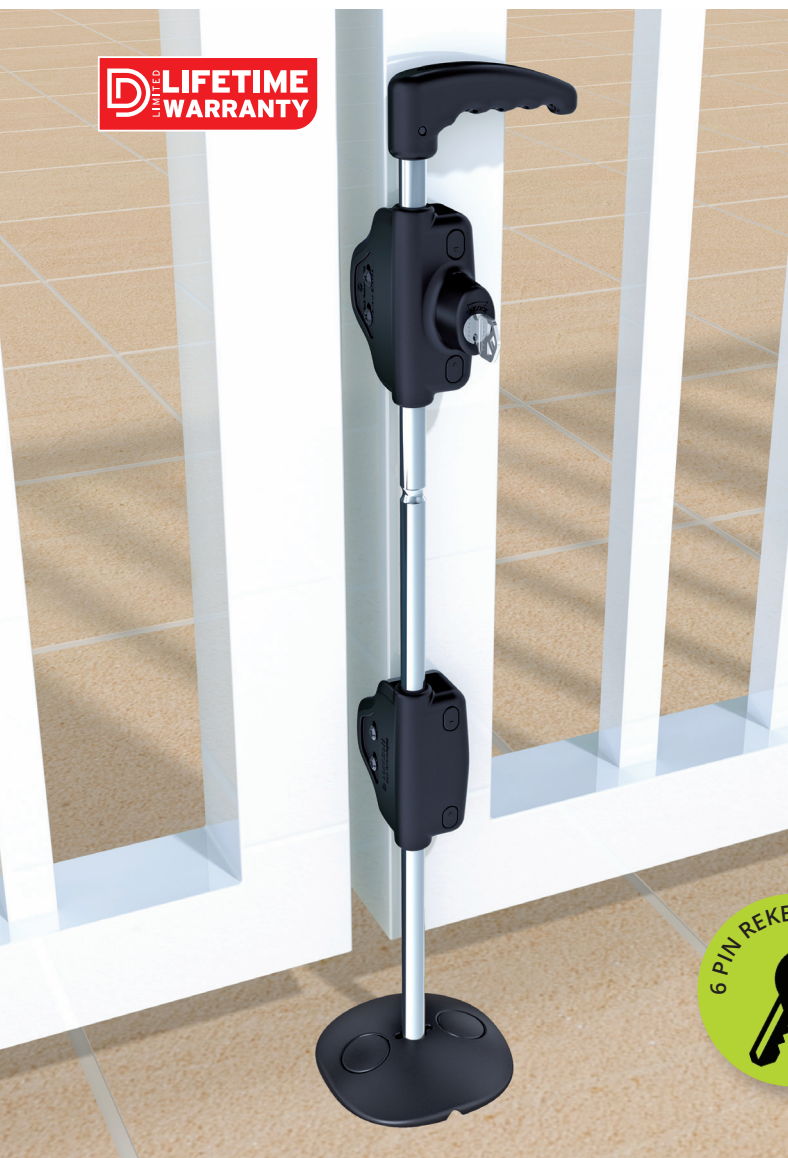




# Premium quality, heavy duty lockable security drop-bolt



## 316 marine-grade stainless steel drop-rod

- Tough polymer-housing mounting system
- 6-pin lock (rekeyable to match doors & gate locks)
- Retention grooves prevent dropping and dragging
- Bolt lengths: 450 & 610mm
- Models for wood & vinyl have added fixing points
- Optional Base Plate retains bolt into ground



**D&D Technologies**

World's most trusted gate hardware

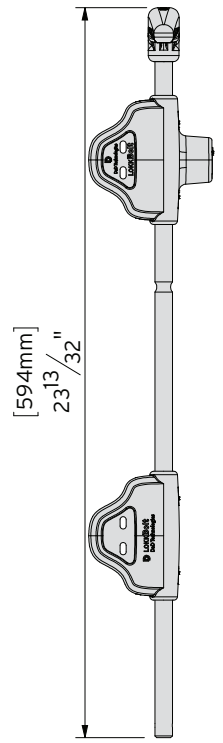
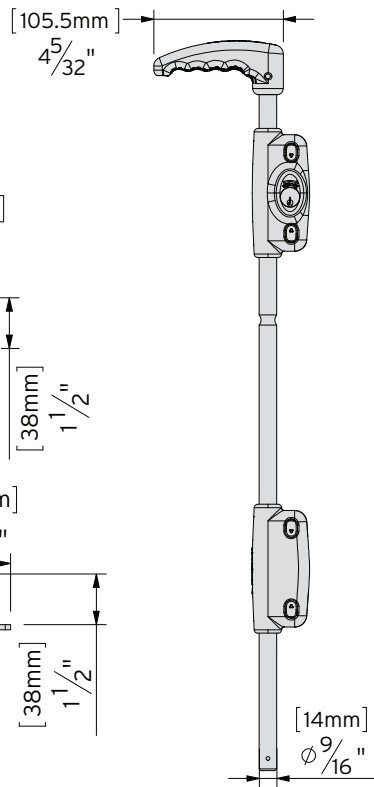
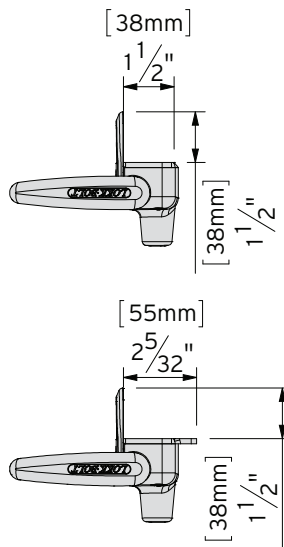
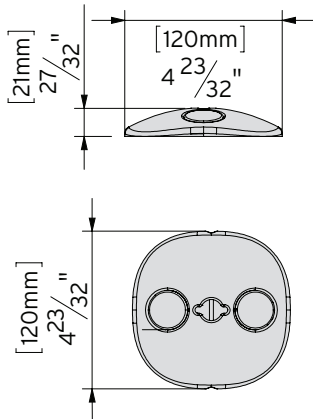


**Product Dimensions**

CODE	COLOR	GATE MATERIAL	BOLT LENGTH
LB118BX	Black	Metal	450mm
LB124BX	Black	Metal	610mm
LB218BX	Black	Wood, Vinyl	450mm
LBBPGB	Black	Optional Base Plate	-



LBBPGB Optional Base Plate



[www.ddtechglobal.com](http://www.ddtechglobal.com)

Unit 6, 4-6 Aquatic Drive, Frenchs Forest NSW 2086  
Tel: (02) 9454 7888 Email: sales@ddtech.com.au

**D&D Technologies**  
World's most trusted gate hardware